

Lifting accessories Specification

**AS-NNR18VHS-1000**

**AS-NNR18VHS-2500**

**AS-NNR18VHD-1000**

**AS-NNR18VHD-2500**

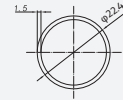
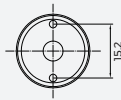
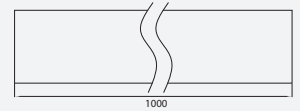
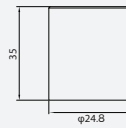
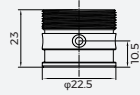
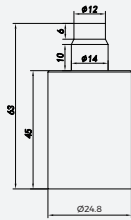
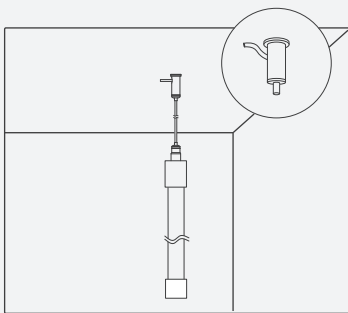


## 【Features】

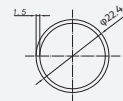
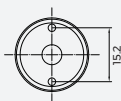
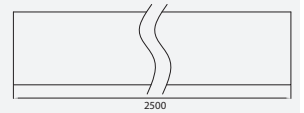
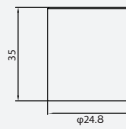
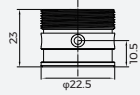
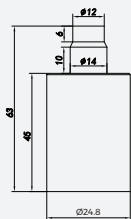
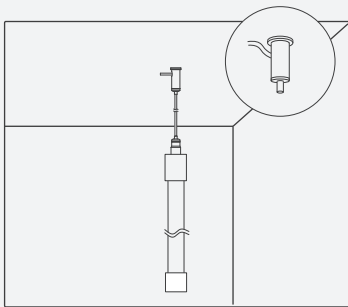
- **Material:** aluminum;
- **Operating environment:** indoor;
- **Installation:** screw flat mounting;
- **Warranty:** 6 years.

## 【Mechanical Parameter】

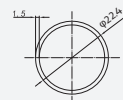
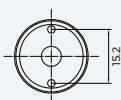
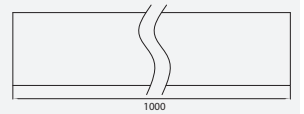
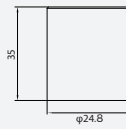
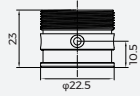
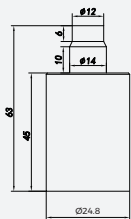
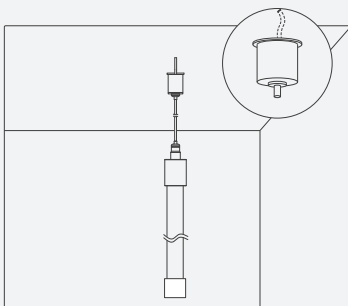
### AS-NNR18VHS-1000



### AS-NNR18VHS-2500

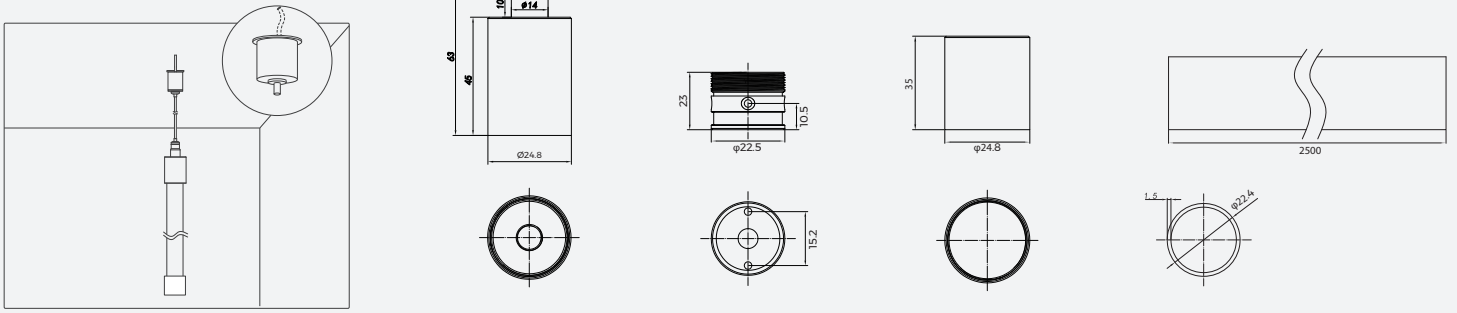


### AS-NNR18VHD-1000



## 【Mechanical Parameter】

### AS-NNR18VHD-2500



## 【Specification information】

Describe	Accessories Picture	Order model	Quantity/ case (PCS)	Net weight (kg)	Per box net weight (kg)	Gross weight (kg)	Packages (mm)	Range of applications
Vertical hanging side outlet Install accessory kit (1m)		AS-NNR18VHS- 1000	23	0.19	4.37	5.26	1285*160*160	NNR18-XXXXBC0100 Round tube:1M;Wire rope2M For white, monochrome light only
Vertical hanging side outlet Install accessory kit (2.5m)		AS-NNR18VHS- 2500	28	0.33	9.24	10.96	2580*165*165	NNR18-XXXXBC0250 Round tube:2.5M;Wire rope2M For white, monochrome light only
Vertical hanging top outlet Install accessory kit (1m)		AS-NNR18VHD- 1000	23	0.21	4.83	5.72	1285*160*160	NNR18-XXXXBC0100 Round tube:1M;Wire rope2M For white, monochrome light only
Vertical hanging top outlet Install accessory kit (2.5m)		AS-NNR18VHD- 2500	28	0.35	9.8	11.52	2580*165*165	NNR18-XXXXBC0250; Round tube:2.5M;Wire rope2M For white, monochrome light only

## 【Precautions】

- Do not use any acid or alkaline adhesive to fix products(including not limited to glass cement,etc).
- After the installation of the lamps and lanterns is completed, do not pull violently, to avoid damage to the lamp.
- Maximum lifting weight of accessories is 4kg(No more than 4 meters).
- Welding of wires and plate must be done in a dry environment.